



BUILDING CODE COMPLIANCE OFFICE (BCCO)
PRODUCT CONTROL DIVISION

MIAMI-DADE COUNTY, FLORIDA
METRO-DADE FLAGLER BUILDING
140 WEST FLAGLER STREET, SUITE 1603
MIAMI, FLORIDA 33130-1563
(305) 375-2901 FAX (305) 375-2908

NOTICE OF ACCEPTANCE (NOA)

Florida Metal Products Inc.
P.O. Box 6310
Jacksonville, FL 32236-6310

SCOPE:

This NOA is being issued under the applicable rules and regulations governing the use of construction materials. The documentation submitted has been reviewed by Miami-Dade County Product Control Division and accepted by the Board of Rules and Appeals (BORA) to be used in Miami Dade County and other areas where allowed by the Authority Having Jurisdiction (AHJ).

This NOA shall not be valid after the expiration date stated below. The Miami-Dade County Product Control Division (In Miami Dade County) and/or the AHJ (in areas other than Miami Dade County) reserve the right to have this product or material tested for quality assurance purposes. If this product or material fails to perform in the accepted manner, the manufacturer will incur the expense of such testing and the AHJ may immediately revoke, modify, or suspend the use of such product or material within their jurisdiction. BORA reserves the right to revoke this acceptance, if it is determined by Miami-Dade County Product Control Division that this product or material fails to meet the requirements of the applicable building code.

This product is approved as described herein, and has been designed to comply with the Florida Building Code and the High Velocity Hurricane Zone of the Florida Building Code.

DESCRIPTION: FLAMCO Off-Ridge Vent

LABELING: Each unit shall bear a permanent label with the manufacturer's name or logo, city, state and following statement: "Miami-Dade County Product Control Approved", unless otherwise noted herein.

RENEWAL of this NOA shall be considered after a renewal application has been filed and there has been no change in the applicable building code negatively affecting the performance of this product.

TERMINATION of this NOA will occur after the expiration date or if there has been a revision or change in the materials, use, and/or manufacture of the product or process. Misuse of this NOA as an endorsement of any product, for sales, advertising or any other purposes shall automatically terminate this NOA. Failure to comply with any section of this NOA shall be cause for termination and removal of NOA.

ADVERTISEMENT: The NOA number preceded by the words Miami-Dade County, Florida, and followed by the expiration date may be displayed in advertising literature. If any portion of the NOA is displayed, then it shall be done in its entirety.

INSPECTION: A copy of this entire NOA shall be provided to the user by the manufacturer or its distributors and shall be available for inspection at the job site at the request of the Building Official.

This NOA consists of pages 1 through 4.
The submitted documentation was reviewed by Jorge L. Acebo.



NOA No.: 07-1205.04
Expiration Date: 03/13/13
Approval Date: 03/13/08
Page 1 of 4

ROOFING SYSTEM APPROVAL

Category: Roofing
Sub-Category: Ventilation
Material: Steel

TRADE NAMES OF PRODUCTS MANUFACTURED OR LABELED BY APPLICANT:

<u>Product</u>	<u>Dimensions</u>	<u>Test Specification</u>	<u>Product Description</u>
FLAMCO Off-Ridge Vent	23.5" width 4' or 6' length 4.5" height 26ga thickness	TAS 100(A)	Off-Ridge ventilation system

EVIDENCE SUBMITTED:

<u>Test Agency</u>	<u>Test Identifier</u>	<u>Description</u>	<u>Date</u>
PRI Construction Materials Technologies, LLC	FMP-002-02-01	TAS 100(A)	11/23/07

GENERAL LIMITATIONS:

1. Refer to applicable Building Code for required ventilation.
2. FLAMCO Off-Ridge Vent shall be installed to comply with applicable building codes and shall be installed over composition shingles roofs only.
3. FLAMCO Off-Ridge Vent shall not be installed on roof mean heights greater than 33 feet.
4. FLAMCO Off-Ridge Vent shall comply with 1517.6 of the Florida Building Code (FBC)

APPROVED APPLICATIONS:

Trade name: FLAMCO Off-Ridge Vent

System Type A: Mechanical attachment of off-ridge vent system over asphalt composition shingles.

Cutout: At chosen location starting 12" down from the ridge cut a hole through shingles and sheathing boards. Cut out shall be 2.5" wide, and length shall be 46" for the 4' model or 70" for the 6' model. Remove roofing nails from top row of shingles so the flashing of the roof vent will slide under shingles. Carefully roll back the shingles along the top and sides of the cut out. Apply a 1/4" thick bed of roof cement around the sides and bottom of the cut out.

Installation: Carefully slide upper half of base of vent under previously rolled back shingles with non-louvered, slant back facing the peak of roof until base is centered over cutout. Nail the FLAMCO Off-Ridge Vent in place using 1/4" galvanized ring shank roofing nails spaced 8" o.c., with the nail 1 1/2" from the flange edge. Seal the top and sides of the nailed flange with roof cement and then roll back the shingles over the top and sides of the sealed flange. All exposed nail heads and interfaces between the vents flange and the prepared roof covering shall be sealed with roof cement.

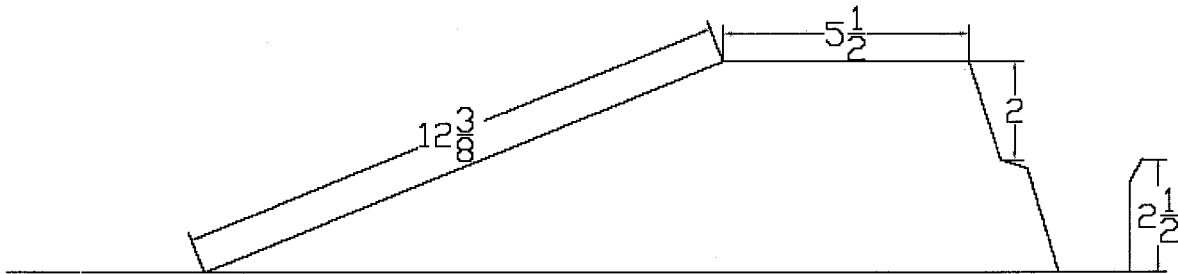
Net Free Area: Refer to manufacturer's published literature

Minimum Slope: 2:12

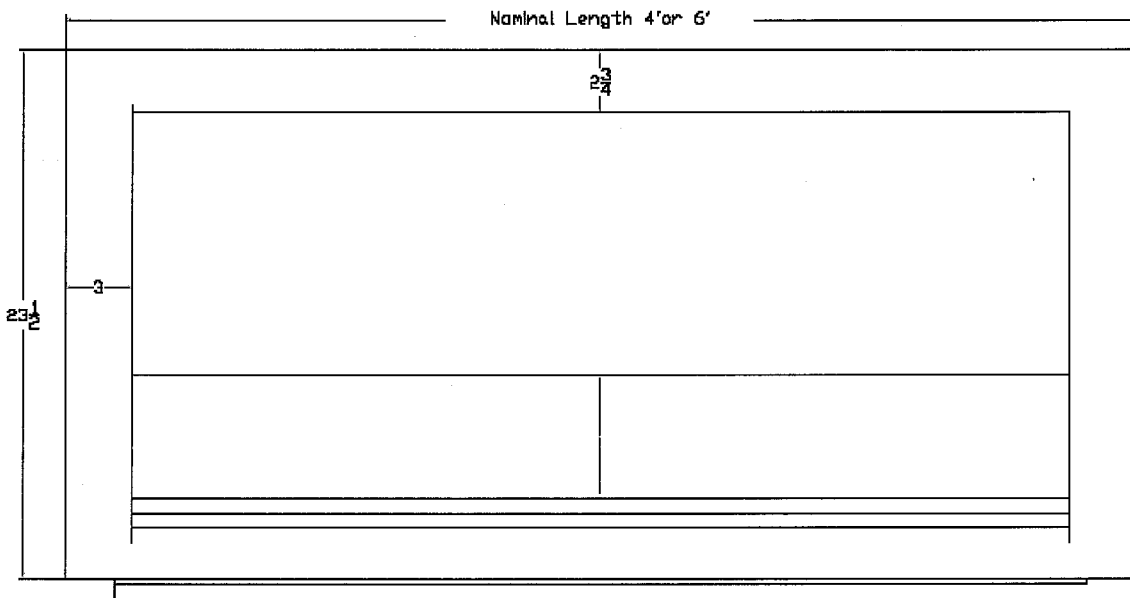


NOA No.: 07-1205.04
Expiration Date: 03/13/13
Approval Date: 03/13/08
Page 2 of 4

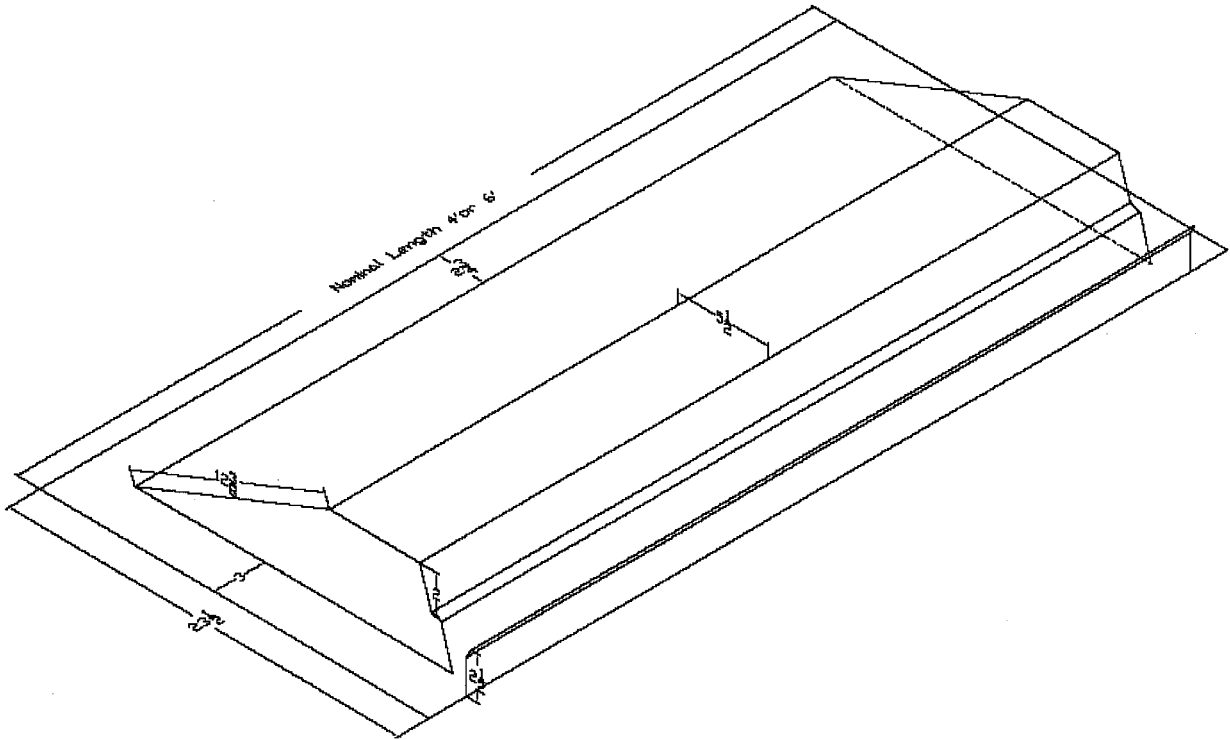
**FLAMCO Off-Ridge Vent
Side View Drawing**



**FLAMCO Off-Ridge Vent
Top view Drawing**



**FLAMCO Off-Ridge Vent
Isometric view Drawing**



END OF THIS ACCEPTANCE

